

V O L V O



Volvo Excavators 30.2-36.8 t 189 kW

EC300

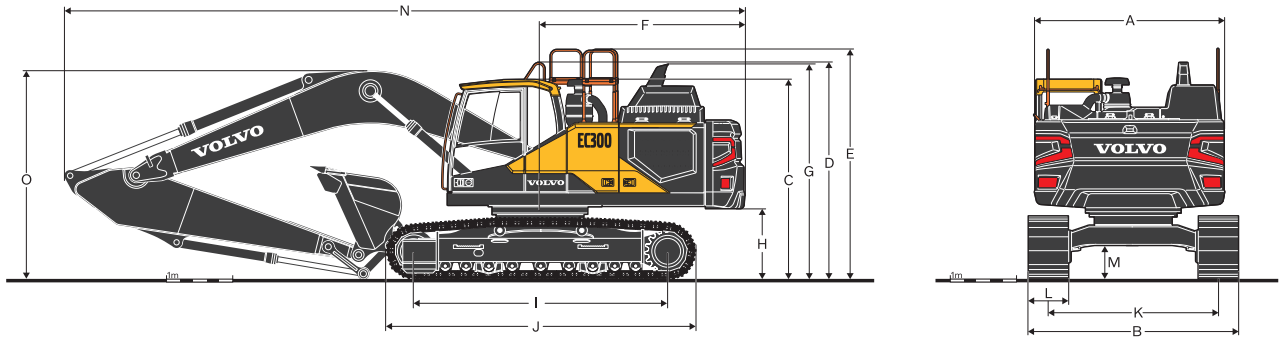
Volvo Construction Equipment

Specifications

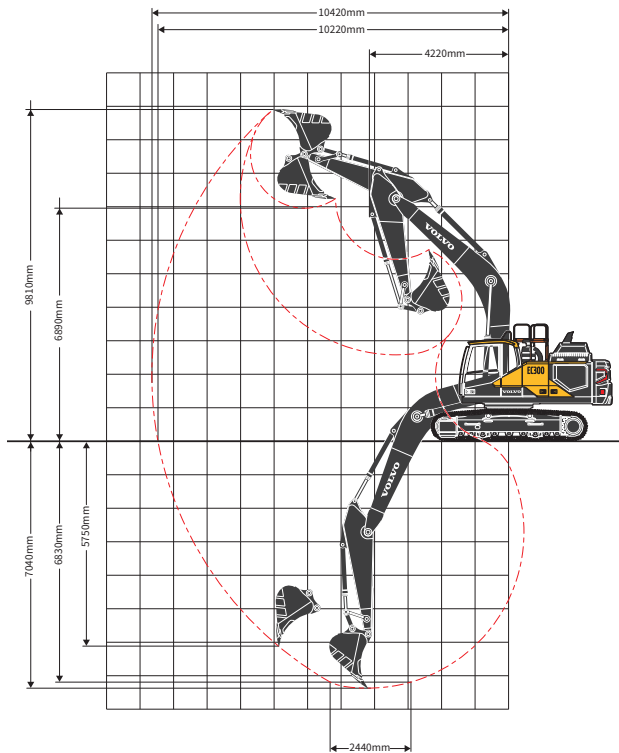
KEY PERFORMANCE

Engine		
Engine	Volvo	D8M
Max. power at	r/min	1 600
Net, ISO 9249/SAE J1349	kW	188
Gross, ISO 14396/SAE J1995	kW	189
Max. torque	Nm	1 290
at engine speed	r/min	1 400
Hydraulic system		
Max. flow	l/min	2 x 276
Relief valve setting pressure		
Implement	MPa	33.3/36.3
Travel circuit	MPa	36.3
Swing circuit	MPa	28.9
Travel system		
Max. tractive force	kN	248
Max. travel speed (low/high)	km/h	3.6/5.6
Gradeability	°	35
Swing system		
Max. swing speed	r/min	11
Max. swing torque	kNm	115

Service Refill		
Fuel tank	l	472
DEF/AdBlue® tank	l	50
Hydraulic system, total	l	385
Hydraulic tank	l	215
Engine oil	l	30
Engine coolant	l	44
Swing reduction unit	l	6.1
Travel reduction unit	l	2 x 6
Operating weight		
Boom length	m	6.2
Arm length	m	2.75
Bucket capacity	m³	1.69
Shoe width	mm	600
Operating weight	Kg	30370
Max. Digging Force (ISO)		
Breakout force (bucket)	kN	207
Tearout force (arm)	kN	163



WORKING RANGES



Description	Unit	EC300
Boom	m	6.2
Arm	m	2.75
A. Overall width of upper structure	mm	2 890
B. Overall width	mm	3 190
C. Overall height of cab	mm	3 110
D. Overall height of handrail	mm	3 360
E. Overall height of guardrail (Unfolded)	mm	3 570
E'. Overall height of handrail/guardrail (Folded)	mm	3 090
F. Tail swing radius	mm	3 120
G. Overall height of diffuser	mm	3 010
H. Counterweight clearance*	mm	1 105
I. Tumbler length	mm	4 015
J. Track length	mm	4 865
K. Track gauge	mm	2 590
L. Shoe width	mm	600
M. Min. ground clearance*	mm	475
N. Overall length	mm	10 550
O. Overall height of boom	mm	3 430

* Without shoe grouser

VOLVO

Volvo Construction Equipment

沃尔沃建筑设备投资(中国)有限公司

中国上海市浦东新区金京路2095号 邮编:201206

电话:+86 21 3131 9888 传真:+86 21 3131 9666 中文网站:www.volvoce.com.cn

全国统一客服专线: 4000-525-168



微信公众号



沃尔沃APP