

V O L V O



Volvo Excavators 56.9-57.3 t 340 kW

EC550 HAMMER

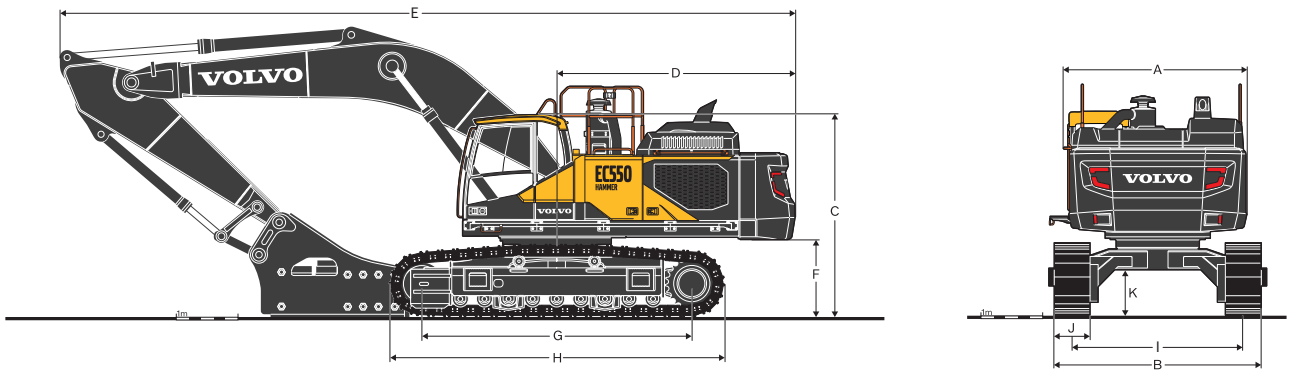
Volvo Construction Equipment

Specifications

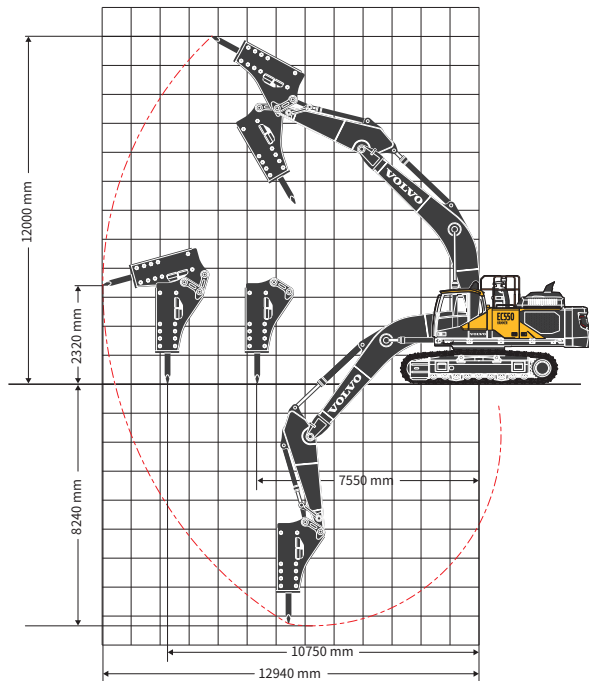
KEY PERFORMANCE

Engine			
Engine	Volvo	D13J	
Max. power at	r/min	1 600	
Net, ISO 9249/SAE J1349	kW	339	
Gross, ISO 14396/SAE J1995	kW	340	
Max. torque	Nm	2 200	
at engine speed	r/min	1 300	
Hydraulic system			
Max. flow	l/min	2×416	
Relief valve setting pressure			
Implement	MPa	33.8/36.3	
Travel circuit	MPa	33.8	
Swing circuit	MPa	27.9	
Travel system			
Max. tractive force	kN	350	
Max. travel speed (low/high)	km/h	3.5/5.4	
Gradeability	°	35	

Swing system			
Max. swing speed	r/min	9.4	
Max. swing torque	kNm	197	
Service Refill			
Fuel tank	l	680	
DEF/AdBlue® tank	l	62.5	
Hydraulic system, total	l	590	
Hydraulic tank	l	270	
Engine oil	l	55	
Engine coolant	l	66	
Swing reduction unit	l	2×6.4	
Travel reduction unit	l	2×8	
Operating weight			
Boom length	m	7.0	
Arm length	m	2.55	
Hammer size (chisel diameter)	mm	210	
Shoe width	mm	600	
Operating weight	Kg	57 300	



WORKING RANGES



DIMENSIONS

Description	Unit	EC550 Hammer Fixed Undercarriage
Boom	m	7.0
Arm	m	2.55
A. Overall width of upper structure**	mm	2 990
B. Overall width***	mm	3 340
C. Overall height*		
Cab	mm	3 265
Overall height of boom	mm	4 800
D. Tail swing radius	mm	3 880
E. Overall length	mm	12 105
F. Counterweight clearance*	mm	1 220
G. Tumbler length	mm	4 400
H. Track length	mm	5 460
I. Track gauge	mm	2 740
J. Shoe width	mm	600
K. Min. ground clearance*	mm	490

* Without shoe grouser

** Excluding walkway, handrail

*** Shoe end to end

V O L V O

Volvo Construction Equipment

沃尔沃建筑设备投资(中国)有限公司

中国上海市浦东新区金京路2095号 邮编:201206

电话:+86 21 3131 9888 传真:+86 21 3131 9666 中文网站:www.volvoce.com.cn

全国统一客服专线: 4000-525-168



微信公众号



沃尔沃APP