

V O L V O



Volvo Excavators 75.2 t 393 kW

EC750

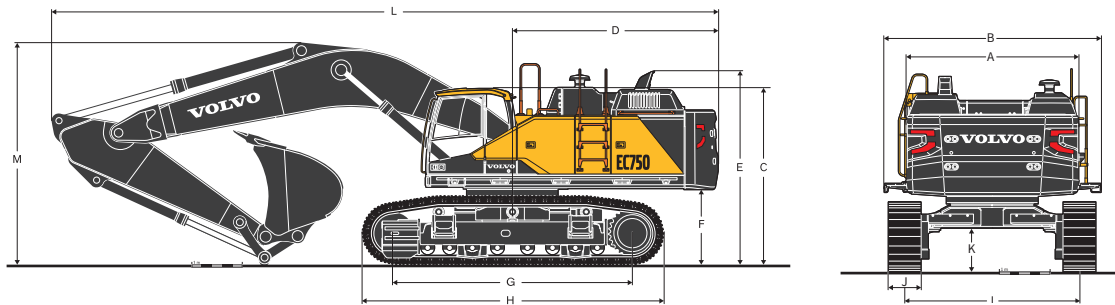
Volvo Construction Equipment

Specifications

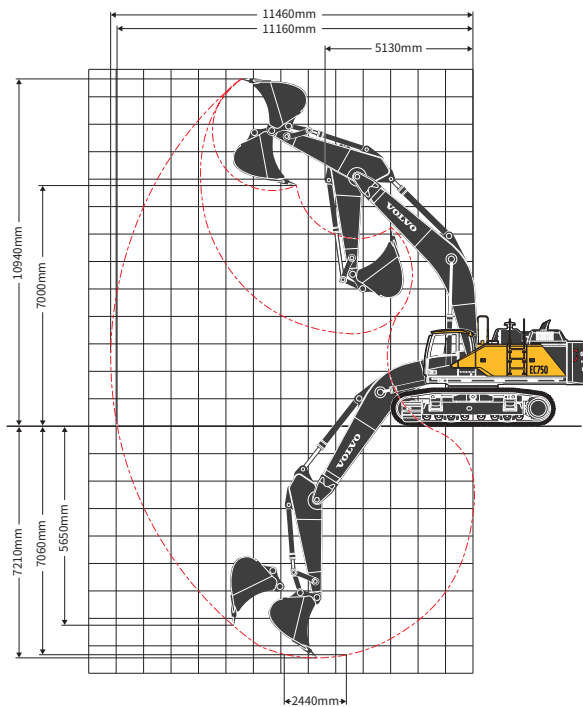
Key features

Engine		
Engine	Volvo	D16J
Max power at	r/min	1 800
Net, ISO 9249/SAE J1349	kW	392
Gross, ISO 14396/SAE J1995	kW	393
Max torque	Nm	2 570
at engine speed	r/min	1 350
Hydraulic system		
Maximum flow	l/min	2 x 450
Relief Valve setting pressure		
Implement	MPa	33.8/35.8
Travel circuit	MPa	33.8
Slew circuit	MPa	26.5
Travel System		
Max. drawbar pull	kN	472
Max. travel speed (low/high)	km/h	2.9/4.6
Gradeability	°	33
Swing system		
Max. slew speed	r/min	7
Max. slew torque	kNm	275

Service Refill		
Fuel tank	l	800
DEF/AdBlue® tank	l	80
Hydraulic system, total	l	655
Hydraulic tank	l	350
Engine oil	l	52
Engine coolant	l	66
Slew reduction unit	l	2 x 6.8
Travel reduction unit	l	2 x 13.5
Operating weight		
Boom length	m	6.6
Arm length	m	2.9
Bucket size	m³	4.6-5.16
Shoe width	mm	650
Operating weight	Kg	75 200
Max.digging force (ISO)		
Breakout force -bucket	kN	383
Tearout force -dipper arm	kN	337



Working Ranges



Machine with pin-on bucket	Unit	EC750
Boom	m	6.6
Arm	m	2.9
A Overall width of superstructure	mm	3 420
B Overall width (Upper Structure)	mm	4 285
C Overall height of cab	mm	3 520
D Tail swing radius	mm	4 140
E Overall height of diffuser	mm	3 850
Overall height of guardrail	mm	4 000
Overall height of engine hood	mm	3 540
Overall height of oil bath	mm	4 100
F Counterweight clearance *	mm	1 480
G Tumbler length	mm	4 750
H Track length	mm	5 990
I Track gauge (extended)	mm	3 440
Track gauge (retracted)	mm	2 750
J Shoe width	mm	650
K Min. ground clearance *	mm	858
L Overall length with Boom/Arm/Bucket	mm	12 200
M Overall height of boom with Boom/Arm/Bucket (with Auxiliary lines)	mm	4 740

* With shoe grouser

VOLVO

Volvo Construction Equipment

沃尔沃建筑设备投资(中国)有限公司

中国上海市浦东新区金京路2095号 邮编:201206

电话:+86 21 3131 9888 传真:+86 21 3131 9666 中文网站:www.volvoce.com.cn

全国统一客服专线: 4000-525-168



微信公众号



沃尔沃APP