

Volvo Construction Equipment  
Building Tomorrow



# WHEEL LOADERS IN REHANDLING

L150H, L180H, L220H, L260H, L350H





# WELCOME TO OUR WORLD

Welcome to a world of industry leading machinery. A world where imagination, hard work and technological innovation will lead the way towards developing a future which is cleaner, smarter, and more connected. A world supported by the enduring values of the Volvo Group. A world of stability, sustainability and innovation. A world which we put our customers at the heart of.

Welcome to the world of Volvo Construction Equipment – we think you're going to like it here.

## Working harder, working smarter

For over 180 years Volvo has been a pioneer in the design and manufacture of machines which set the standard for efficiency, performance and uptime. Across our range of excavators, wheel loaders and haulers, our reputation for engineering excellence is unrivalled, which means whatever your operation or application, we can provide a total fleet solution to help you succeed.

Building on our proud history, the Volvo Concept Lab continues to create cutting-edge ideas and innovative concepts, to ensure we offer customers machines which work harder and smarter long into the future.



## Solutions for you

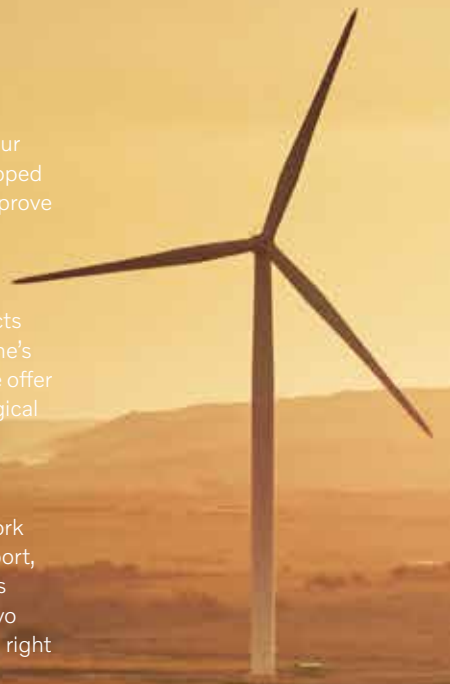
Our industry leading machines are just the start of your relationship with Volvo. As your partner, we have developed an extensive range of additional solutions to help you improve uptime, boost productivity and reduce costs.

### Designed for your business

Structured across nine blocks, our portfolio of products and services are designed to complement your machine's performance and boost your profitability. Simply put, we offer some of the best guarantees, warranties and technological solutions in the industry today.

### There when you need us

Whether you're buying new or used, our global network of dealers and technicians offer around-the-clock support, including machine monitoring and world-class parts availability. It's the basis of everything offered by Volvo Services, so you can be confident we've got you covered right from the start.



**BUILDING TOMORROW**





# The perfect package

## Built for the job

Specialized tasks require specialized equipment, which is why Volvo offers wheel loaders configured to meet the unique requirements of a wide range of applications. Our application specific wheel loaders are designed and built to ensure you achieve superior results according to the unique demands of the segment you are working in.

The right machine options, tires and attachments all combine to ensure our specially adapted wheel loaders deliver maximum safety and performance. As with all Volvo products you can trust in the full support and back-up of your Volvo dealer, and aftermarket Volvo solutions, for the lifetime of your machine.



# Loads of productivity

## Introducing Volvo rehandlers

Built on decades of experience providing solutions to quarry, mining and aggregate industries, we introduce our range of Volvo Wheel Loaders, tailor-made for rehandling applications. Purpose built to deliver outstanding results in open pits, quarries and a variety of industrial applications, our rehandling machines are designed to move more material per loading cycle. This means tasks can be completed in fewer cycles, resulting in a lower cost per tonne.

Whether working in truck loading, hopper charging, stockpiling or load and carry, trust in Volvo rehandlers to deliver round-the-clock productivity in the most demanding conditions.

# Ready for rehandling

From start to finish, a Volvo rehandler is expertly engineered to be the perfect partner in open pits, quarries and other industrial applications. From the linkage, cab and counterweight, to the buckets, tires and everything else in between, this is a machine built to deliver outstanding productivity, load after load.

## Lift the pace

Count on fast cycle times thanks to the quick and responsive Volvo wheel loader, featuring Optishift with lock-up converter and Reverse By Braking technology. This is combined with the rehandling counterweight, which maintains stability without reducing ground clearance or departure angle, enabling the best bucket for the job to be selected. The high travel speed and shock absorbing Boom Suspension System create a smoother ride and less material spillage.



## Loaded with quality

Carry more with every bucket load thanks to the Volvo range of purpose built rehandling and sand buckets. Designed to deliver high breakout force and excellent roll back angles, the high capacity buckets are easy to fill with superb material retention. Rimpull control ensures the required traction to support effective bucket filling, while L3/L4 tires and 100% differential locks on front axle (L150H-L260H) further provide optimal grip in soft and slippery conditions.





### Take control of your productivity

Say goodbye to guess work with On-Board Weighing, part of a suite of Load Assist apps. Thanks to real-time insights into the bucket's load, you can eliminate overloading, underloading, reweighing & waiting times. Simply use the 10" touchscreen Volvo Co-Pilot to monitor your productivity, track materials and trucks, and change work orders in seconds.



### The operator's choice

Operators can work comfortably and productively with features such as the Boom Suspension System and optional Comfort Drive Control, which enables operators to steer the machine with a single lever. In often dusty rehandling environments, the rearview camera, optional radar detect system and LED lights enhance visibility. The exclusive Volvo cab-filtration system produces outstanding in-cab air quality and further boosts comfort by circulating 90% of cab air through the main filter.

### Keep working

Around the clock – day or night, Volvo rehandlers are built to deliver performance which lasts, including a robust frame and double sealing on all centre hinge and lift arm pins. Features including breather filter, engine air pre-cleaner, axle oil cooler, reversible fan and full covering mudguards further increase durability in rehandling environments. The grouped service points and tiltable cab (L150 – L260), facilitate easy maintenance and higher uptime.



# Volvo rehandlers

Exclusive Volvo cab-filtration system

On-Board Weighing app,  
powered by Volvo Co-Pilot  
(Option)

LED work lights  
packages (Option)

Powerful linkage with  
double sealing on each pin

Matched Rehandling  
buckets

Boom Suspension  
System

Differential lock : 100%  
front, Optional limited slip  
rear (L150H-L260H)

Rimpull control





**Rearview camera, Optional  
Radar Detect System**

**Comfort Drive Control,  
lever steering (Option)**

**Engine pre-cleaner  
(Option)**

**Fully-covered  
mudguards**

**Rehandling  
counterweight**

**OptiShift, with lock-up converter and  
Reverse By Braking (L150H-L260H)  
Lock-up converter (L350H)**

**Auto lubrication system  
(Option)**

**Reversible fan**

# Make every load count

Our extensive attachment range is purpose built to work in harmony with your Volvo, helping to achieve maximum productivity and efficiency in both short cycle loading and load and carry applications. Our range of rehandling buckets are the optimum choice when working with sand and gravel. Features including long floor, optimized spill guards and curved side plates all contribute towards maximum penetration, traction, high fill factor and material retention.

More information can be found in the Attachments brochure, or in the Attachments selector tool, available for IOS on App store, for Android on Play Store and China Android Store.

**Rehandling Straight edge bucket**  
L150H-L350H



**Rehandling Spade nose bucket** **NEW!**  
L150H-L260H



**Rehandling Flat Floor bucket**  
L150H-L260H



**Sand bucket**  
L150H-L260H



## Customer-Built Attachments

When your operation requires a unique attachment design, then a custom-built attachment could be the answer. Receive support and tailored advice from your Volvo dealer and our in-house attachments specialist to help you define the right attachment specification for you.



# Configured for success

Benefit from all the features and functions found on a standard Volvo Wheel Loader, combined with the specialist equipment needed to succeed in rehandling activities. In addition to the rehandling package, there are a number of other options we can offer which are beneficial in this application.

- Included in the Rehandling package
- \* Included in standard machine configuration
- o Optional equipment

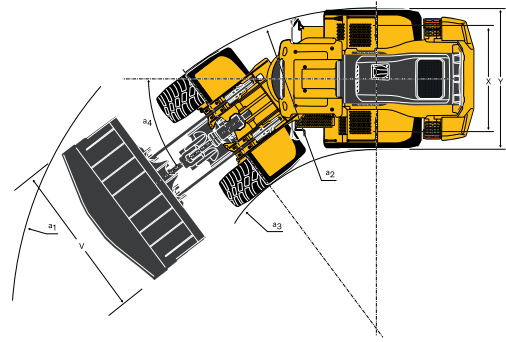
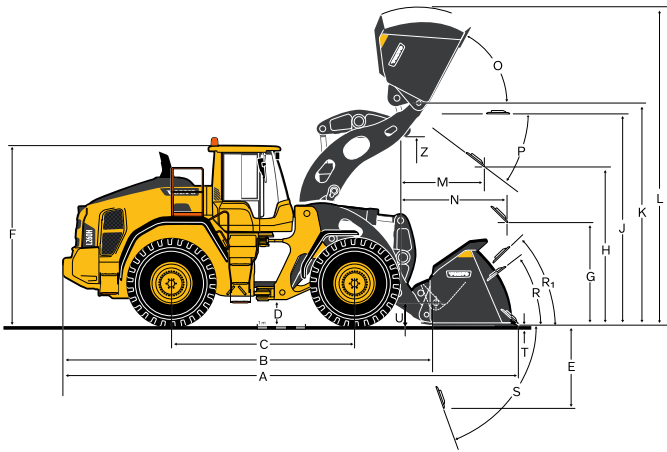
Depending on the country, some optional equipment listed below may be included in the standard machine configuration.  
Depending on the country, some equipment listed below in the standard machine configuration may be optional.

	VOLVO REHANDLERS				
	L150H	L180H	L220H	L260H	L350H
Boom Suspension System (BSS)	•	•	•	•	•
Rehandling counterweight	•	•	•	•	•
On-Board Weighing app, powered by Volvo Co-Pilot	o	o	o	o	o
Differential lock: 100% front, limited slip rear	o	o	o	o	
Attachment bracket	o	o	o	o	o
Engine air pre-cleaner, cyclone type	o	o	o	o	o
Engine air pre-cleaner, turbo II type	o	o	o	o	o
Reversible fan	o	o	o	o	o
Comfort Drive Control (CDC)	o	o	o	o	•*
LED work lights packages Contact your Volvo dealer for more information	o	o	o	o	o
Lube system	o	o	o	o	o
Tail light guards, heavy-duty	o	o	o	o	o
Long boom	o	o	o	o	o
Rear-view camera	•*	•*	•*	•*	•*
Radar detect system	o	o	o	o	o





# Specifications

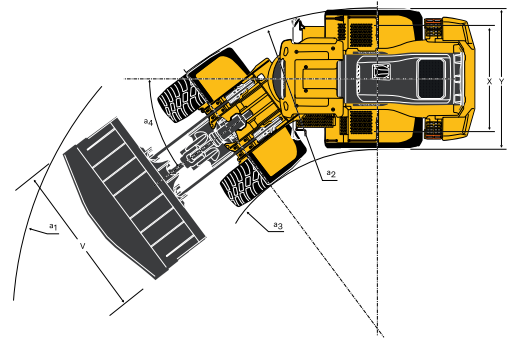
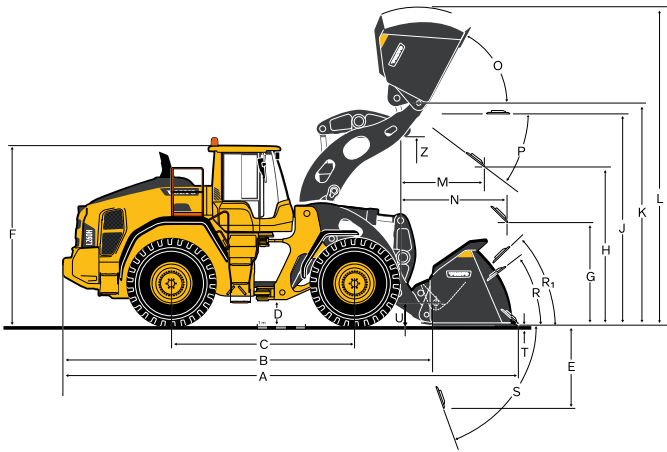


Bucket	L150H		L150H		L180H		L180H	
	4.8 m <sup>3</sup> STE P BOE REHANDLING		4.5 m <sup>3</sup> STE P BOE FF** SAND		5.5 m <sup>3</sup> STE P BOE REHANDLING		5.3 m <sup>3</sup> STE P BOE FF** SAND	
Tires	26.5R25				26.5R25			
Volume heaped ISO/SAE	m <sup>3</sup>	4.80	4.50	5.50	5.30			
Volume at 110% fill factor	m <sup>3</sup>	5.28	4.95	6.05	5.83			
Static tipping load straight	kg	19 780	19 130	23 240	22 390			
at 35° turn	kg	17 610	17 020	20 600	19 830			
at full turn	kg	17 360	16 780	20 300	19 530			
Breakout force	kN	183	177	216	198			
A	mm	8 730	8 790	8 970	9 110			
B	mm	7 060	7 060	7 200	7 200			
C	mm	3 550	3 550	3 550	3 550			
D	mm	480	480	490	490			
E	mm	1 360	1 420	1 490	1 620			
F	mm	3 580	3 580	3 590	3 590			
G***	mm	2 134	2 133	2 134	2 132			
H***	mm	2 920	2 810	3 010	2 840			
J	mm	3 920	3 920	4 050	4 050			
K	mm	4 340	4 340	4 470	4 470			
L	mm	5 960	5 770	6 160	6 030			
M***	mm	1 320	1 250	1 380	1 380			
N***	mm	1 860	1 720	1 990	1 880			
O	°	58	58	57	57			
P <sub>max</sub>	°	50	45	49	45			
R	°	45	45	45	45			
R <sub>1</sub>	°	48	47	48	48			
S	°	66	62	71	66			
T	mm	98	101	139	136			
U	mm	520	510	560	550			
V	mm	3 200	3 400	3 400	3 400			
X	mm	2 280	2 280	2 280	2 280			
Y	mm	2 960	2 960	2 960	2 960			
Z	mm	3 510	3 500	3 810	3 810			
a <sub>1</sub>	mm	14 930	15 140	15 250	15 330			
a <sub>2</sub>	mm	6 790	6 790	6 790	6 790			
a <sub>3</sub>	mm	3 820	3 820	3 820	3 820			
a <sub>4</sub>	°	37	37	37	37			
Operating weight	kg	25 490	25 500	28 300	28 330			

\* Calculated with Rehandling counterweight

\*\* Flat Floor bucket

\*\*\* Measured to the tip of the bolt-on edge. Dump height to bucket edge measured at 45° dump angle.



Bucket		L220H	L220H	L260H	L260H	L350H
		5.9 m <sup>3</sup> STE P BOE REHANDLING	5.8 m <sup>3</sup> STE P BOE SAND	6.9 m <sup>3</sup> STE P BOE REHANDLING	6.8 m <sup>3</sup> STE P BOE FF** SAND	9.4 m <sup>3</sup> STE P BOE REHANDLING
<b>Tires</b>		<b>29.5R25</b>				<b>35/65R33</b>
Volume heaped ISO/SAE	m <sup>3</sup>	5.90	5.80	6.90	6.80	9.40
Volume at 110% fill factor	m <sup>3</sup>	6.49	6.38	7.59	7.48	10.34
Static tipping load straight	kg	25 010	24 270	27 470	26 950	42 160
at 35° turn	kg	22 220	21 500	24 380	23 890	37 370
at full turn	kg	21 910	21 190	24 030	23 540	36 830
Breakout force	kN	223	205	290	272	377
A	mm	9 320	9 460	9 430	9 530	11 200
B	mm	7 490	7 490	7 590	7 590	9 140
C	mm	3 700	3 700	3 800	3 800	4 300
D	mm	520	520	530	510	510
E	mm	1 510	1 640	1 690	1 800	1 800
F	mm	3 710	3 710	3 720	3 710	4 150
G***	mm	2 134	2 134	2 132	2 134	2 134
H***	mm	3 130	2 990	3 250	3 190	3 610
J	mm	4 220	4 230	4 360	4 380	4 890
K	mm	4 650	4 650	4 630	4 620	5 300
L	mm	6 410	6 280	6 600	6 510	7 350
M***	mm	1 440	1 490	1 680	1 790	1 900
N***	mm	2 130	2 030	2 340	2 260	2 760
O	°	56	56	62	62	60
P <sub>max</sub>	°	48	43	44	39	46
R	°	44	43	40	40	45
R <sub>1</sub>	°	47	47	49	47	49
S	°	65	61	75	70	66
T	mm	134	126	110	89	157
U	mm	590	590	570	500	650
V	mm	3 400	3 400	3 580	3 650	3 970
X	mm	2 400	2 400	2 400	2 400	2 720
Y	mm	3 150	3 150	3 160	3 160	3 630
Z	mm	4 040	4 040	3 850	3 830	4 430
a <sub>1</sub>	mm	15 830	15 910	16 240	16 340	18 400
a <sub>2</sub>	mm	7 100	7 100	7 260	7 260	8 240
a <sub>3</sub>	mm	3 960	3 960	4 100	4 100	4 610
a <sub>4</sub>	°	37	37	37	37	37
Operating weight	kg	32 160	32 190	33 940	33 920	52 970

\* Calculated with Rehandling counterweight

\*\* Flat Floor bucket

\*\*\* Measured to the tip of the bolt-on edge. Dump height to bucket edge measured at 45° dump angle.

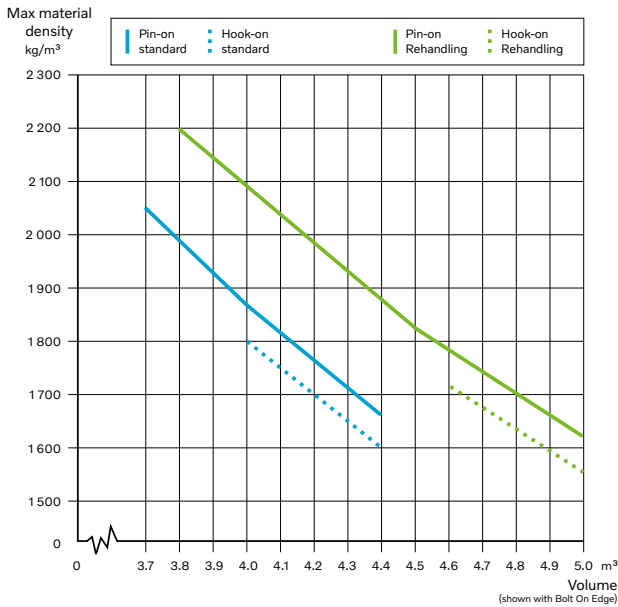
# Specifications

The graphs below show the increased lifting capacity of a Volvo wheel loader when fitted with the Rehandling package. The larger buckets and increased material density per bucket volume achieved with the Rehandling counterweight means more material can be moved per loading cycle. This means tasks can be completed in fewer cycles, resulting in a lower cost per tonne.

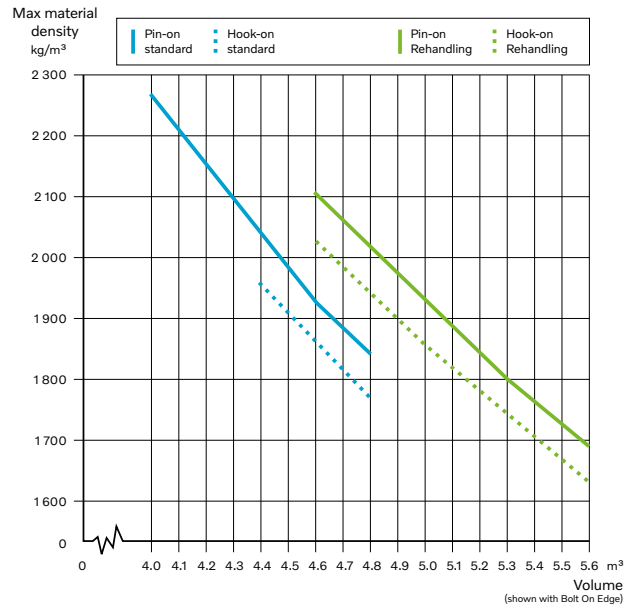
Notes:

- Standard machines are calculated with General Purpose buckets and no extra counterweight.
- Rehandling machines are calculated with Rehandling buckets and Rehandling counterweight.

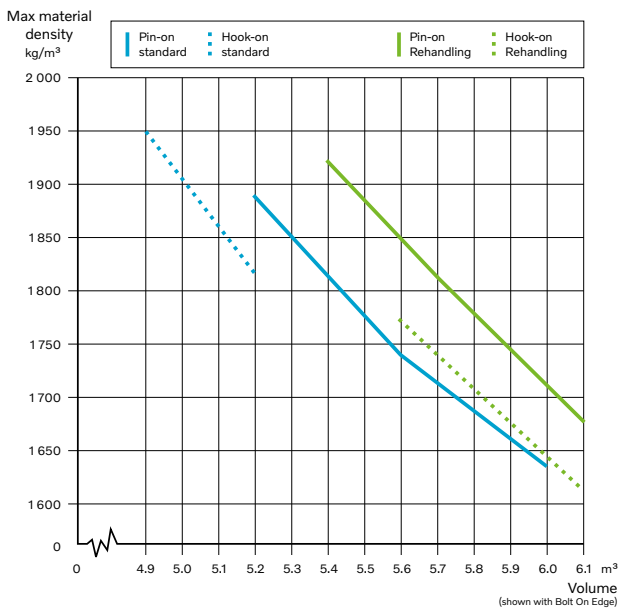
## L150H



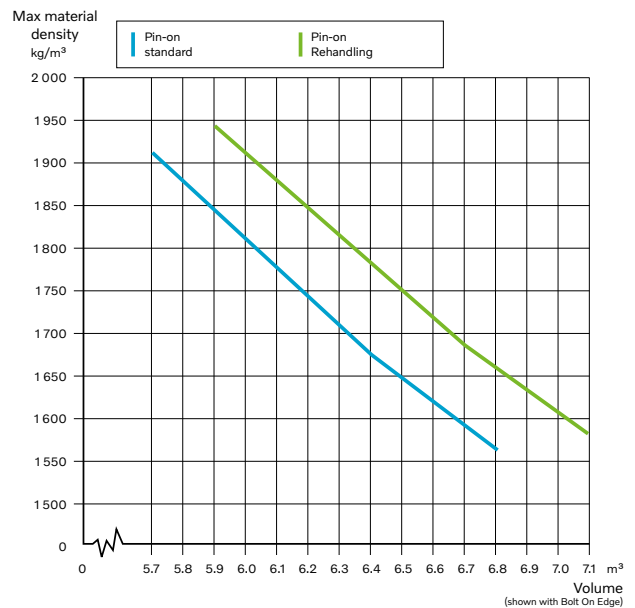
## L180H



## L220H

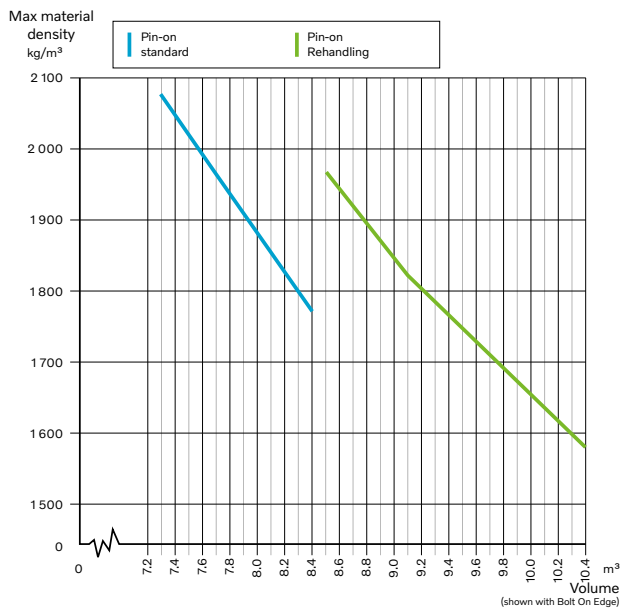


## L260H



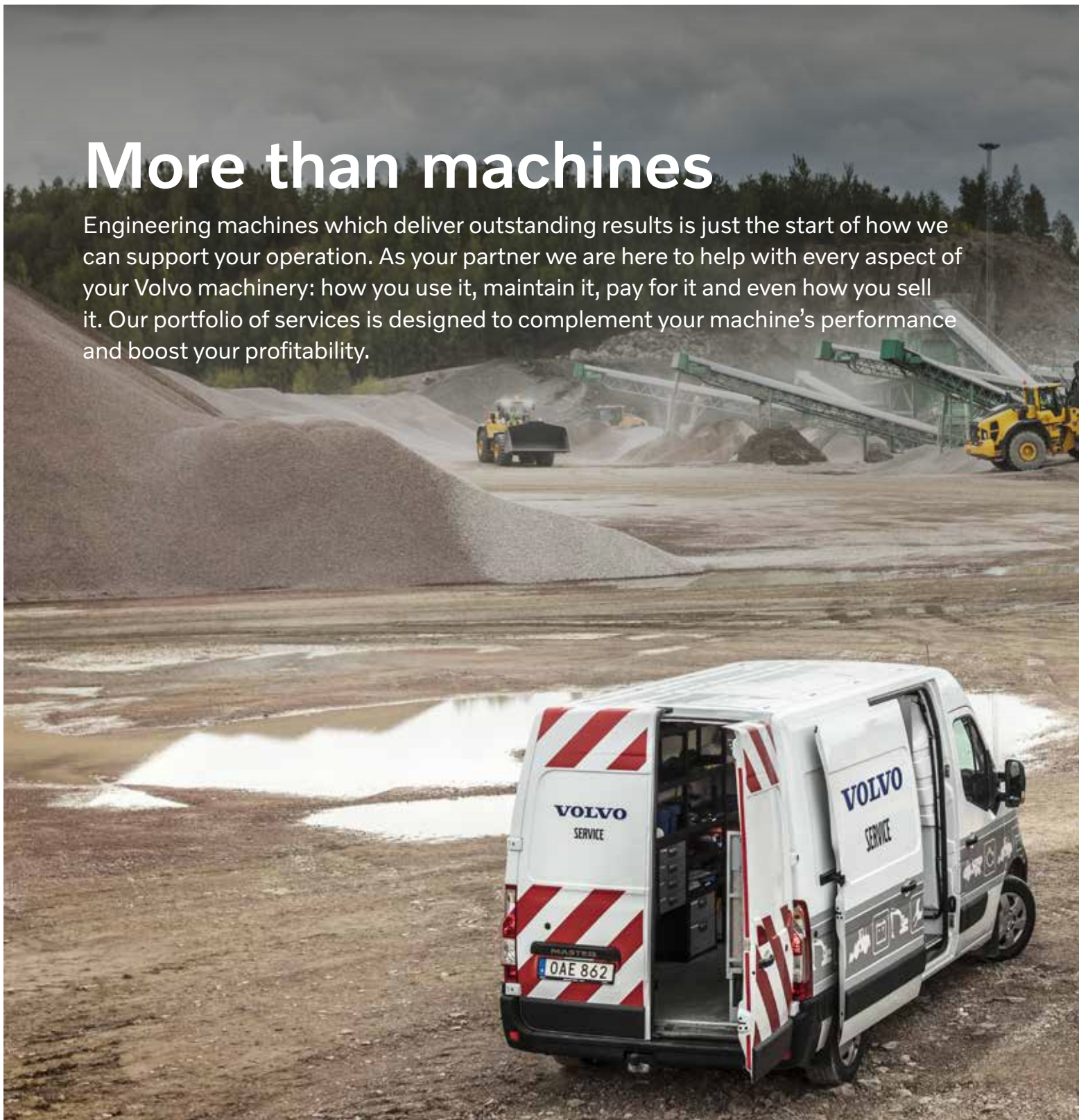


# L350H



# More than machines

Engineering machines which deliver outstanding results is just the start of how we can support your operation. As your partner we are here to help with every aspect of your Volvo machinery: how you use it, maintain it, pay for it and even how you sell it. Our portfolio of services is designed to complement your machine's performance and boost your profitability.



## Genuine Volvo Parts

Maintain productivity and machine uptime with our range of readily available, tested and approved parts – all backed by Volvo warranty. Only by using Genuine Volvo Parts, can you protect your investment, extend machine life and guarantee long-lasting performance.

## Volvo Active Care

Maximize machine uptime and reduce repair costs with Volvo Active Care. Utilizing CareTrack data, the intelligent service provides round the clock machine monitoring, as well as customer reports – to help take predictive and preventative maintenance actions.





### **Load Assist apps**

Optimize your load cycles with Load Assist, powered by Volvo Co-Pilot – the revolutionary in-cab display. Gain access to a set of smart apps, including On-Board Weighing, Operator Coaching, Map and Tire Pressure Monitoring System, and boost the efficiency of your operation.

### **Operator training**

Reliable and efficient machines play an important part in reducing costs while increasing productivity and safety, but it is the performance of the operator that really makes the difference. With a range of training initiatives, we want to help operators to unlock the full capability of their Volvo Wheel Loaders.







# Keep it in the family

In addition to wheel loaders, Volvo is proud to provide an extensive portfolio of solutions to the quarry, mining and aggregate industries. Throughout our machinery line-up we are committed to producing machines which deliver outstanding results in rehandling applications.

**VOLVO**

**Volvo Construction Equipment**

[volvoce.com](http://volvoce.com)